

**REFERENCE :** KI0417

**SIZES :** U

**COMPOSITION :**

Main fabric : Polyester oxford 600D PVC backing 100% Polyester

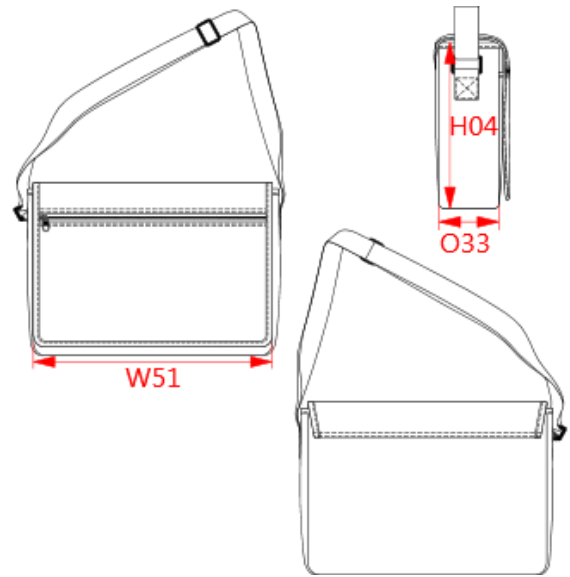
Lining : Poliester 190T PU backing As lining on back part of flap panel + inner compartment. 100% polyester

**TECHNICAL DETAIL :**

PVC backing

**ARTICLE WEIGHT :**

320 gr/pc



DESCRIPTION	
<b>Français :</b>	Sac Messenger
<b>English :</b>	Messenger bag
<b>Nederlands :</b>	Messenger bag
<b>Deutsch :</b>	Messenger Tasche
<b>Español :</b>	Bolsa messenger
<b>Italiano :</b>	Borsa messenger
<b>Português :</b>	Mala messenger

COLORS	PANTONE SERIGRAPHIE
Black	Black
Burnt lime	583C
Light grey	2331C
Navy	433C
Royal blue	287C

MEASUREMENT							
Description	U						
<b>W51</b> Total width	40						
<b>O33</b> Deep of bottom part	10						
<b>H04</b> Hauteur coté / Side length	27						

PACKING	
Box	40 pcs / box U => L:52cm W:94cm H:36cm GW:14kg NW:12,8kg